

UVS-GR ORTA BASINÇLI RADYAL FAN UVS-GR MEDIUM PRESSURE RADIAL FAN



KULLANIM ALANLARI / AREAS OF USAGE

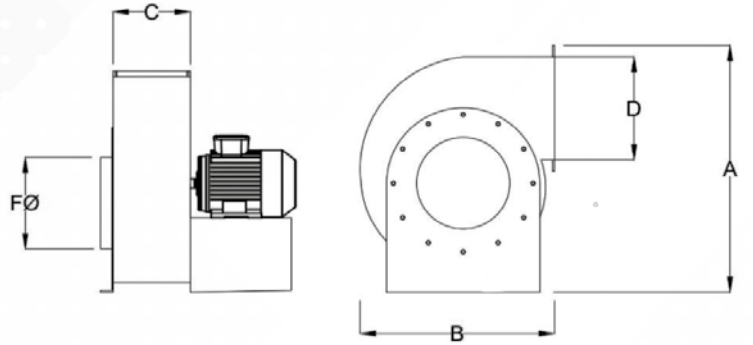
- Yağlı ve tozlu ortamların naklinde / Ventilations very dusty and greasy places
- Egzost havalandırmasında / Aspirations of exhaust fumes
- Toz talaş ve materyallerin naklinde / Ventilating sawdust, dust and a variety of materials

ÖZELLİKLERİ / SPECIFICATIONS

- Debi / Airflow : 4000 – 23000 m³/h
- Basınç / Pressure : 500 – 2100 Pa
- Geriye eğik seyrek kanatlı / Backward curved impeller
- Direkt akuple veya kayış kasnak tahrikli / Direct coupling or belt driven
- Minimum motor gücüyle , max. kapasite / Minimum engine power – max. capacity

MODEL	VOLTAJ (V)	FREKANS (Hz)	AKIM (A)	POWER (kW)	RPM (d/d)	AIRFLOW (Debi) (m ³ /h)	PRESSURE (Basınç) (Pa)	KORUMA SINIFI (IP)	AĞIRLIK (kg)
UVS-GR300	230/380	50	5/1.75	0.75	2800	4000	500	55	91
UVS-GR320	230/380	50	9.8/3.3	1.5	2800	6000	700	55	104
UVS-GR350A	230/380	50	13.5/4.5	2.2	2800	6500	900	55	145
UVS-GR350B	230/380	50	17.7/5.8	3	2800	9000	900	55	158
UVS-GR400A	380	50	7.9	4	2800	10000	1300	55	175
UVS-GR400B	380	50	10.3	5.5	2800	13000	1300	55	225
UVS-GR450A	380	50	13.6	7.5	2800	15000	1500	55	240
UVS-GR450B	380	50	17	11	2800	18000	1500	55	255
UVS-GR500A	380	50	26	15	2800	21000	1700	55	325
UVS-GR500B	380	50	28	18.5	2800	23000	2100	55	375

MODEL	A	B	C	D	FØ
UVS-GR300	560	510	180	250	250
UVS-GR320	665	550	200	260	300
UVS-GR350A	720	600	250	280	320
UVS-GR350B	720	600	250	280	320
UVS-GR400A	820	685	270	330	350
UVS-GR400B	820	685	270	330	350
UVS-GR450A	840	700	270	370	400
UVS-GR450B	840	700	270	370	400
UVS-GR500A	850	785	330	410	450
UVS-GR500B	850	785	330	410	450



All dimensions are in mm.

UVS-GR PERFORMANS TABLOSU / UVS-GR TYPE PERFORMANCE TABLE

MODEL	Pa	500	700	900	1100	1300	1500	1700	1900	2100	2400
UVS-GR300	m ³ /h	4000	1500	-	-	-	-	-	-	-	-
UVS-GR320	m ³ /h	-	6000	2500	-	-	-	-	-	-	-
UVS-GR350A	m ³ /h	-	-	6500	5000	-	-	-	-	-	-
UVS-GR350B	m ³ /h	-	-	9000	6000	-	-	-	-	-	-
UVS-GR400A	m ³ /h	-	-	-	13000	10000	6000	-	-	-	-
UVS-GR400B	m ³ /h	-	-	-	15000	13000	10000	-	-	-	-
UVS-GR450A	m ³ /h	-	-	-	-	17000	15000	10000	-	-	-
UVS-GR450B	m ³ /h	-	-	-	-	19000	18000	15000	12000	-	-
UVS-GR500A	m ³ /h	-	-	-	-	-	23000	21000	17000	15000	-
UVS-GR500B	m ³ /h	-	-	-	-	-	28000	26000	24000	23000	19000

