

UVS-K YÜKSEK BASINÇLI RADYAL FAN UVS-K HIGH PRESSURE RADIAL FAN



KULLANIM ALANLARI / AREAS OF USAGE

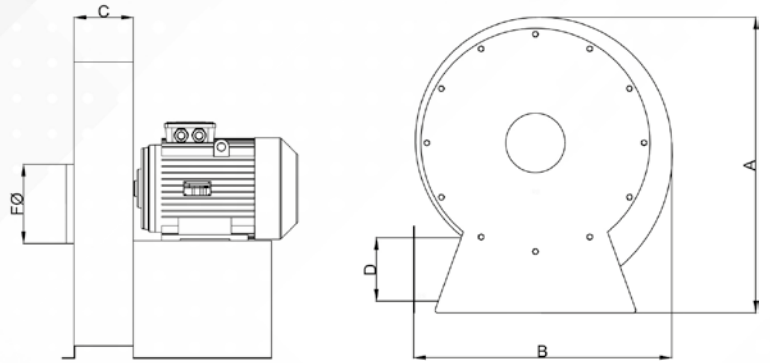
- Poşet ve matbaa makinelerinde / Bag making machines and printing press
- Üfleyerek malzeme naklinde / Transportation of materials by blowing
- Bek yakmada / Lighting up burner
- Hava perdesi ve cam soğutmada / Cooling air curtain and glass moulds.
- Endüstriyel ocaklarda / Industrial ovens.

ÖZELLİKLERİ / SPECIFICATIONS

- Debi / Airflow : 350 – 1700 m³/h
- Basınç / Pressure : 2500 – 11000 Pa
- Direkt akuple veya kayış kasnak tahrikli / Direct coupling or belt driven

MODEL	VOLTAJ (V)	FREKANS (Hz)	AKIM (A)	POWER (kW)	RPM (d/d)	AIRFLOW (Max. Debi) (m ³ /h)	PRESSURE (Max. Basınç) (Pa)	KORUMA SINIFI (IP)	AĞIRLIK (kg)
UVS-K1	230/380	50	2.5/1.05	0.37	2800	350	2500	55	20.5
UVS-K2	230/380	50	5/1.78	0.75	2800	400	3000	55	28
UVS-K3	230/380	50	7/2.4	1.1	2800	450	4000	55	41
UVS-K4	230/380	50	10/3.3	1.5	2800	500	4500	55	47
UVS-K5	230/380	50	13.6/4.4	2.2	2800	600	5000	55	57
UVS-K6	230/380	50	17.8/5.7	3	2800	1000	7000	55	62
UVS-K7	380	50	8	4	2800	1200	8000	55	69
UVS-K8	380	50	10.5	5.5	2800	1300	9000	55	108
UVS-K9	380	50	13.5	7.5	2800	1500	10000	55	135
UVS-K10	380	50	16	11	2800	1700	11000	55	160

MODEL	A	B	C	D	FØ
UVS-K1	470	510	70	70	130
UVS-K2	590	630	70	70	130
UVS-K3	600	620	70	70	130
UVS-K4	630	710	70	70	130
UVS-K5	680	720	80	80	130
UVS-K6	720	710	80	80	150
UVS-K7	750	820	80	80	150
UVS-K8	810	780	100	100	150
UVS-K9	870	870	100	100	150
UVS-K10	1000	1050	110	110	160



All dimensions are in mm.

UVS-K PERFORMANS GRAFİKLERİ / UVS-K PERFORMANCE GRAPHICS
