

## UVS-KR KAYIŞ KASNAK TAHRİKLİ RADYAL FAN UVS-KR BELT DRIVEN RADIAL FAN



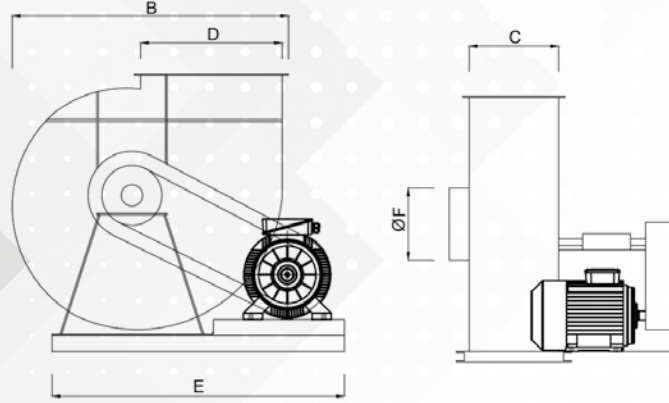
### KULLANIM ALANLARI / AREAS OF USAGE

- Temiz ve az tozlu hava naklinde / Aspiration of clean or slightly dusty air
- Mobilya ve cila atölyelerinde / Furniture and polishing workshops
- Endüstriyel mutfak havalandırmasında / The industrial kitchen aspiration system
- Havalandırma tesisatlarında / Aspiration systems

### ÖZELLİKLERİ / SPECIFICATIONS

- Debi / Airflow : 1500 – 15000 m<sup>3</sup>/h
- Basınç / Pressure : 400 – 1800 Pa
- Kayış kasnak tahrikli / Belt driven
- Geriye eğimli seyrek kanatlı / Backward curved impeller

MODEL	VOLTAJ (V)	FREKANS (Hz)	AKIM (A)	POWER (kW)	RPM (d/d)	AIRFLOW (Max. Debi) (m <sup>3</sup> /h)	PRESSURE (Max. Basınç) (Pa)	KORUMA SINIFI (IP)
UVS-KR1	380	50	0.87	0.37	1400	1500	400	55
UVS-KR2	380	50	1.6	0.75	1400	2500	450	55
UVS-KR3	380	50	1.92	1.1	1400	3500	600	55
UVS-KR4	380	50	3.5	1.5	1400	4500	700	55
UVS-KR5	380	50	4.9	2.2	1400	6000	750	55
UVS-KR6	380	50	6.7	3	1400	6500	800	55
UVS-KR7	380	50	8.4	4	1400	7000	950	55
UVS-KR8	380	50	11.5	5.5	1400	9000	1200	55
UVS-KR9	380	50	16	7.5	1400	12000	1500	55
UVS-KR10	380	50	20	11	1400	15000	1800	55



MODEL	A	B	C	D	E	FØ
UVS-KR1	330	390	160	200	500	150
UVS-KR2	510	460	180	260	560	200
UVS-KR3	550	500	200	270	620	240
UVS-KR4	600	550	220	290	620	260
UVS-KR5	620	550	230	320	720	300
UVS-KR6	650	580	250	320	720	320
UVS-KR7	670	600	250	380	840	320
UVS-KR8	770	700	280	440	960	330
UVS-KR9	840	750	320	500	960	350
UVS-KR10	900	790	420	500	1040	400

All dimensions are in mm.

**UVS-KR PERFORMANS TABLOSU / UVS-KR PERFORMANCE TABLE**

MODEL	Pa	0	300	600	900	1200	1500	1700
UVS-KR1	m <sup>3</sup> /h	1500	460	-	-	-	-	-
UVS-KR2	m <sup>3</sup> /h	2500	1300	-	-	-	-	-
UVS-KR3	m <sup>3</sup> /h	3500	2300	-	-	-	-	-
UVS-KR4	m <sup>3</sup> /h	4500	3300	1700	-	-	-	-
UVS-KR5	m <sup>3</sup> /h	6000	4500	3000	-	-	-	-
UVS-KR6	m <sup>3</sup> /h	6500	5000	3000	-	-	-	-
UVS-KR7	m <sup>3</sup> /h	7000	5800	4200	-	-	-	-
UVS-KR8	m <sup>3</sup> /h	9000	7500	6000	4400	-	-	-
UVS-KR9	m <sup>3</sup> /h	12000	10500	9000	7000	5000	-	-
UVS-KR10	m <sup>3</sup> /h	15000	13300	12000	11000	9000	4200	-

