

UVS-M ALÇAK BASINÇLI RADYAL FAN UVS-M LOW PRESSURE RADIAL FAN



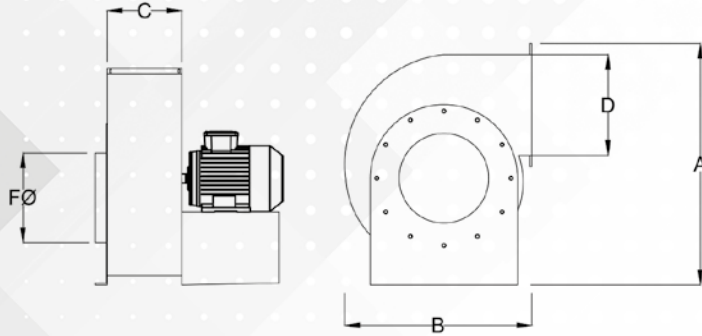
KULLANIM ALANLARI / AREAS OF USAGE

- Temiz ve az tozlu hava naklinde / Aspiration of clean or slightly dusty air
- Mobilya ve cila atölyelerinde / Furniture and polishing workshops
- Endüstriyel mutfak havalandırmasında / The industrial kitchen aspiration system
- Havalandırma tesisatlarında / Aspiration systems

ÖZELLİKLERİ / SPECIFICATIONS

- Debi / Airflow : 1500 – 15000 m³/h
- Basınç / Pressure : 400 – 1700 Pa
- Seyrek ve sık kanatlı vantilatörler / Forward curved impellers
- Direkt akuple veya kayış kasnak tahrikli / Direct coupling or belt driven

MODEL	VOLTAJ (V)	FREKANS (Hz)	AKIM (A)	POWER (kW)	RPM (d/d)	AIRFLOW (Max. Debi) (m ³ /h)	PRESSURE (Max. Basınç) (Pa)	KORUMA SINIFI (IP)	AĞIRLIK (kg)
UVS-M1	230/380	50	2.1/0.87	0.37	1400	1500	400	55	27.5
UVS-M2	230/380	50	3.3/1.6	0.75	1400	2500	450	55	34
UVS-M3	230/380	50	5.4/1.92	1.1	1400	3500	600	55	41
UVS-M4	230/380	50	9.8/3.5	1.5	1400	4500	700	55	51
UVS-M5	230/380	50	14/4.9	2.2	1400	6000	750	55	63.4
UVS-M6	230/380	50	20/6.7	3	1400	6500	800	55	67
UVS-M7	380	50	8.4	4	1400	7000	950	55	70
UVS-M8	380	50	11.5	5.5	1400	9000	1200	55	98
UVS-M9	380	50	16	7.5	1400	12000	1500	55	121
UVS-M10	380	50	20	11	1400	15000	1700	55	150



MODEL	A	B	C	D	FØ
UVS-M1	460	370	160	200	150
UVS-M2	570	450	180	260	200
UVS-M3	650	500	200	270	240
UVS-M4	700	550	220	290	260
UVS-M5	750	590	230	320	300
UVS-M6	750	600	250	320	320
UVS-M7	810	640	250	380	320
UVS-M8	920	740	280	440	330
UVS-M9	990	800	320	500	350
UVS-M10	1110	880	420	500	400

All dimensions are in mm.

UVS-M PERFORMANS TABLOSU / UVS-M PERFORMANCE TABLE

MODEL	Pa	0	300	600	900	1200	1500	1700
UVS-M1	m ³ /h	1500	460	-	-	-	-	-
UVS-M2	m ³ /h	2500	1300	-	-	-	-	-
UVS-M3	m ³ /h	3500	2300	-	-	-	-	-
UVS-M4	m ³ /h	4500	3300	1700	-	-	-	-
UVS-M5	m ³ /h	6000	4500	3000	-	-	-	-
UVS-M6	m ³ /h	6500	5000	3000	-	-	-	-
UVS-M7	m ³ /h	7000	5800	4200	-	-	-	-
UVS-M8	m ³ /h	9000	7500	6000	4400	-	-	-
UVS-M9	m ³ /h	12000	10500	9000	7000	5000	-	-
UVS-M10	m ³ /h	15000	13300	12000	11000	9000	4200	-

