

UVS-R ORTA BASINÇLI RADYAL FAN UVS-R MEDIUM PRESSURE RADIAL FAN



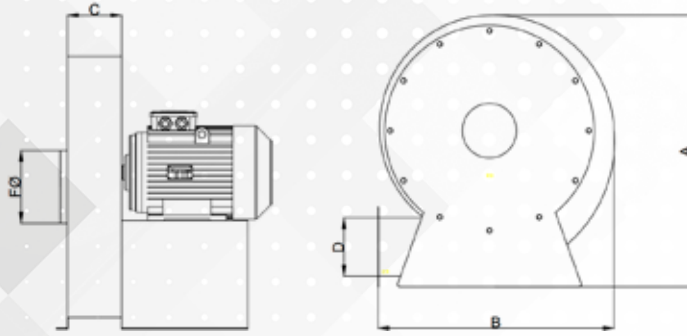
KULLANIM ALANLARI / AREAS OF USAGE

- Toz toplama / Collecting dust
- Duman ve egzost tahliyesinde / Fume-gas elimination
- İnce tanecikli malzeme naklinde (mermer tozu, tahta tozu, granür, plastic vs.) / (marble dust, granule etc.)
- Matbaalarda, kağıt, mobilya, kereste, suntan, seramik ve mermer fabrikalarında / At printing houses, different factories.

ÖZELLİKLERİ / SPECIFICATIONS

- Debi / Airflow : 950 – 6000 m³/h
- Basınç / Pressure : 1300 – 8000 Pa
- Direkt akupile veya kayış kasnak tahrikli / Direct coupling or belt driven

MODEL	VOLTAJ (V)	FREKANS (Hz)	AKIM (A)	POWER (kW)	RPM (d/d)	AIRFLOW (Max. Debi) (m ³ /h)	PRESSURE (Max. Basınç) (Pa)	KORUMA SINIFI (IP)	AĞIRLIK (kg)
UVS-R1	230/380	50	2.5/1.1	0.37	2800	950	1300	55	24.5
UVS-R2	230/380	50	5/1.8	0.75	2800	1000	2000	55	31
UVS-R3	230/380	50	7.1/2.4	1.1	2800	1300	3000	55	35
UVS-R4	230/380	50	10/3.4	1.5	2800	1600	3500	55	42
UVS-R5	230/380	50	13/4.6	2.2	2800	1900	4000	55	45
UVS-R6	230/380	50	17.8/6	3	2800	2200	4500	55	56
UVS-R7	380	50	8	4	2800	2500	5000	55	64
UVS-R8	380	50	10.5	5.5	2800	3000	6000	55	85
UVS-R9	380	50	14	7.5	2800	4000	7250	55	98
UVS-R10	380	50	20	11	2800	6000	8000	55	130



MODEL	A	B	C	D	FØ
UVS-R1	410	500	100	100	100
UVS--R2	500	580	100	100	120
UVS-R3	530	610	100	100	120
UVS-R4	530	620	120	120	140
UVS-R5	590	650	120	120	140
UVS-R6	660	700	150	150	150
UVS-R7	670	720	150	150	150
UVS-R8	750	780	150	150	150
UVS-R9	790	820	180	180	180
UVS-R10	830	790	200	200	220

All dimensions are in mm.

UVS-R PERFORMANS GRAFİKLERİ / UVS-R PERFORMANCE GRAPHICS

